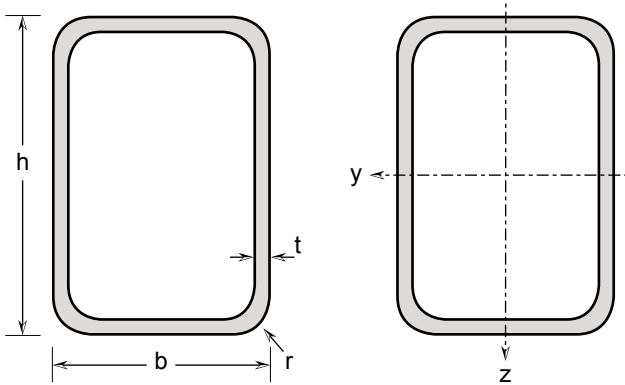


Rectangular Hollow Sections Stainless steel

Cold formed and welded acc. to EN 10219-2; grade accord. to EN 10088. Surface condition: external weld bead removed, brushed / blasted and pickled

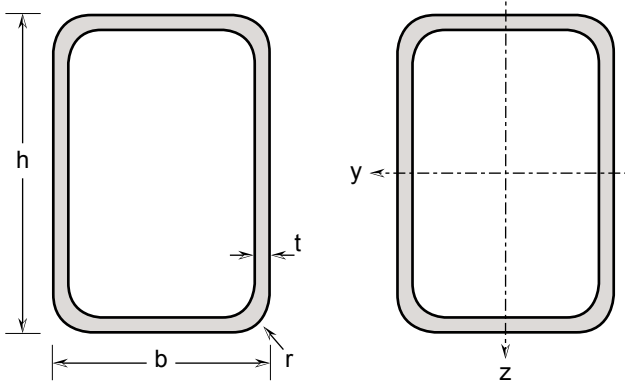
Designation		Dimensions					Structural properties										
							Axis y-y					Axis z-z					
G	h	b	t	r	A	I _y	W _{ely}	W _{ply}	i _y	I _z	W _{elz}	W _{plz}	i _z	I _v	W _v		
kg/m	mm	mm	mm	mm	mm ² x10 ²	mm ⁴ x10 ⁴	mm ³ x10 ³	mm ³ x10 ³	mm	mm ⁴ x10 ⁴	mm ³ x10 ³	mm ³ x10 ³	mm	mm ⁴ x10 ⁴	mm ³ x10 ³		
60x40	4.33	60	40	3	6	5.41	25.38	8.46	10.53	2.17	13.44	6.72	7.95	1.58	29.28	10.97	
	5.56	60	40	4	8	6.95	30.99	10.33	13.17	2.11	16.28	8.14	9.90	1.53	36.67	13.32	
	6.68	60	40	5	10	8.36	35.33	11.78	15.39	2.06	18.43	9.21	11.53	1.48	42.85	15.11	
70x50	5.29	70	50	3	6	6.61	44.05	12.59	15.40	2.58	26.10	10.44	12.21	1.99	53.62	16.86	
	6.84	70	50	4	8	8.55	54.67	15.62	19.48	2.53	32.22	12.89	15.41	1.94	68.07	20.84	
	8.28	70	50	5	10	10.36	63.46	18.13	23.07	2.48	37.20	14.88	18.21	1.90	80.77	24.12	
80x40	5.29	80	40	3	6	6.61	52.25	13.06	16.54	2.81	17.56	8.78	10.17	1.63	43.88	14.85	
	6.84	80	40	4	8	8.55	64.79	16.20	20.92	2.75	21.49	10.74	12.78	1.59	55.24	18.15	
	8.28	80	40	5	10	10.36	75.11	18.78	24.75	2.69	24.59	12.30	15.03	1.54	64.97	20.74	
	9.63	80	40	6	12	12.03	83.32	20.83	28.05	2.63	26.96	13.48	16.94	1.50	73.07	22.71	
80x50	5.77	80	50	3	6	7.21	61.15	15.29	18.85	2.91	29.42	11.77	13.62	2.02	65.00	19.39	
	7.48	80	50	4	8	9.35	76.36	19.09	23.96	2.86	36.46	14.59	17.25	1.98	82.70	24.03	
	9.08	80	50	5	10	11.36	89.19	22.30	28.50	2.80	42.29	16.92	20.46	1.93	98.40	27.90	
	10.59	80	50	6	12	13.23	99.79	24.95	32.49	2.75	46.99	18.79	23.26	1.88	112.1	31.03	
80x60	6.25	80	60	3	6	7.81	70.05	17.51	21.16	3.00	44.89	14.96	17.37	2.40	88.35	23.94	
	8.12	80	60	4	8	10.15	87.92	21.98	27.00	2.94	56.12	18.71	22.13	2.35	113.1	29.98	
	9.88	80	60	5	10	12.36	103.28	25.82	32.25	2.89	65.66	21.89	26.39	2.31	135.5	35.15	
	11.55	80	60	6	12	14.43	116.25	29.06	36.93	2.84	73.63	24.54	30.18	2.26	155.6	39.51	
100x40	6.25	100	40	3	6	7.81	92.34	18.47	23.75	3.44	21.67	10.84	12.39	1.67	59.05	18.74	
	8.12	100	40	4	8	10.15	115.70	23.14	30.26	3.38	26.69	13.35	15.66	1.62	74.53	22.98	
	9.88	100	40	5	10	12.36	135.60	27.12	36.10	3.31	30.76	15.38	18.53	1.58	87.92	26.38	
	11.55	100	40	6	12	14.43	152.21	30.44	41.28	3.25	33.96	16.98	21.02	1.53	99.26	29.03	
100x50	6.73	100	50	3	6	8.41	106.46	21.29	26.66	3.56	36.06	14.42	16.44	2.07	88.56	24.45	
	8.76	100	50	4	8	10.95	134.14	26.83	34.10	3.50	44.95	17.98	20.93	2.03	112.99	30.41	



Rectangular Hollow Sections Stainless steel

Cold formed and welded acc. to EN 10219-2; grade accord. to EN 10088. Surface condition: external weld bead removed, brushed / blasted and pickled

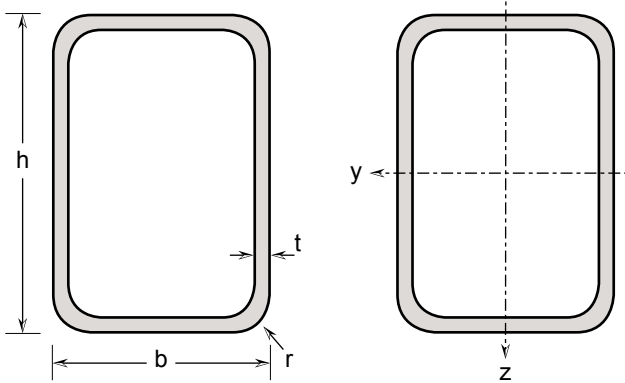
Designation		Dimensions					Structural properties										
							Axis y-y				Axis z-z						
G	kg/m	h	b	t	r	A	I _y	W _{ely}	W _{ply}	i _y	I _z	W _{elz}	W _{plz}	i _z	I _v	W _v	
		mm	mm	mm	mm	mm ²	mm ⁴	mm ³	mm ³	mm	mm ⁴	mm ³	mm ³	mm	mm ⁴	mm ³	
						x10 ²	x10 ⁴	x10 ³	x10 ³	x10	x10 ⁴	x10 ³	x10 ³	x10	x10 ⁴	x10 ³	
100x50	10.68	100	50	5	10	13.36	158.19	31.64	40.85	3.44	52.45	20.98	24.96	1.98	134.87	35.44	
	12.51	100	50	6	12	15.63	178.75	35.75	46.92	3.38	58.67	23.47	28.54	1.94	154.20	39.60	
100x60	7.21	100	60	3	6	9.01	120.57	24.11	29.57	3.66	54.65	18.22	20.79	2.46	121.67	30.19	
	9.40	100	60	4	8	11.75	152.58	30.52	37.94	3.60	68.68	22.89	26.61	2.42	156.27	37.92	
	11.48	100	60	5	10	14.36	180.77	36.15	45.60	3.55	80.83	26.94	31.89	2.37	187.86	44.63	
	13.47	100	60	6	12	16.83	205.30	41.06	52.56	3.49	91.20	30.40	36.66	2.33	216.44	50.38	
	16.67	100	60	8	20	20.84	227.28	45.46	62.90	3.30	100.82	33.61	44.25	2.20	260.32	58.01	
100x80	8.17	100	80	3	6	10.21	148.81	29.76	35.39	3.82	105.64	26.41	30.40	3.22	196.12	41.73	
	10.68	100	80	4	8	13.35	189.47	37.89	45.62	3.77	134.17	33.54	39.16	3.17	253.79	53.06	
	13.08	100	80	5	10	16.36	225.94	45.19	55.10	3.72	159.61	39.90	47.25	3.12	307.55	63.21	
	15.39	100	80	6	12	19.23	258.39	51.68	63.84	3.67	182.11	45.53	54.69	3.08	357.38	72.25	
	19.23	100	80	8	20	24.04	295.16	59.03	77.62	3.50	207.89	51.97	66.70	2.94	441.84	85.92	
120x40	7.21	120	40	3	6	9.01	148.04	24.67	32.16	4.05	25.79	12.89	14.61	1.69	74.56	22.62	
	9.40	120	40	4	8	11.75	186.89	31.15	41.21	3.99	31.90	15.95	18.54	1.65	94.23	27.81	
	11.48	120	40	5	10	14.36	220.81	36.80	49.46	3.92	36.93	18.46	22.03	1.60	111.35	32.02	
120x60	8.17	120	60	3	6	10.21	189.12	31.52	39.18	4.30	64.40	21.47	24.21	2.51	156.34	36.43	
	10.68	120	60	4	8	13.35	240.74	40.12	50.49	4.25	81.25	27.08	31.09	2.47	201.12	45.87	
	13.08	120	60	5	10	16.36	286.97	47.83	60.96	4.19	95.99	32.00	37.39	2.42	242.23	54.11	
	15.39	120	60	6	12	19.23	328.01	54.67	70.59	4.13	108.77	36.26	43.14	2.38	279.67	61.24	
	19.23	120	60	8	20	24.04	371.64	61.94	85.34	3.93	122.62	40.87	52.57	2.26	339.55	71.23	
120x80	9.13	120	80	3	6	11.41	230.20	38.37	46.20	4.49	123.43	30.86	35.02	3.29	255.47	50.35	
	11.96	120	80	4	8	14.95	294.59	49.10	59.77	4.44	157.29	39.32	45.24	3.24	331.24	64.16	
	14.68	120	80	5	10	18.36	353.14	58.86	72.46	4.39	187.78	46.94	54.75	3.20	402.27	76.61	
	17.31	120	80	6	12	21.63	406.06	67.68	84.27	4.33	215.03	53.76	63.57	3.15	468.54	87.78	



Rectangular Hollow Sections Stainless steel

Cold formed and welded acc. to EN 10219-2; grade accord. to EN 10088. Surface condition: external weld bead removed, brushed / blasted and pickled

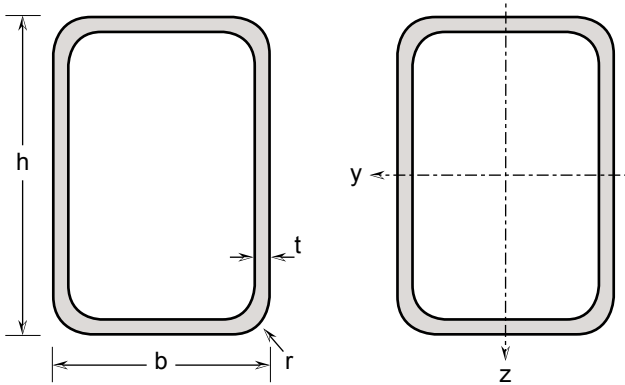
Designation		Dimensions					Structural properties										
							Axis y-y					Axis z-z					
G	h	b	t	r	A	I _y	W _{ely}	W _{ply}	i _y	I _z	W _{elz}	W _{plz}	i _z	I _v	W _v		
kg/m	mm	mm	mm	mm	mm ² x10 ²	mm ⁴ x10 ⁴	mm ³ x10 ³	mm ³ x10 ³	mm	mm ⁴ x10 ⁴	mm ³ x10 ³	mm ³ x10 ³	mm	mm ⁴ x10 ⁴	mm ³ x10 ³		
120x100	10.09	120	100	3	6	12.61	271.27	45.21	53.22	4.64	205.28	41.06	47.03	4.04	367.01	64.32	
	13.24	120	100	4	8	16.55	348.43	58.07	69.05	4.59	263.24	52.65	60.98	3.99	477.84	82.55	
	16.28	120	100	5	10	20.36	419.31	69.88	83.96	4.54	316.27	63.25	74.10	3.94	582.86	99.29	
	19.23	120	100	6	12	24.03	484.11	80.68	97.95	4.49	364.56	72.91	86.40	3.89	682.04	114.61	
	24.35	120	100	8	20	30.44	572.69	95.45	121.18	4.34	430.93	86.19	107.06	3.76	861.65	139.88	
140x60	9.04	140	60	3	8	11.31	272.6	38.9	49.4	4.91	73.1	24.4	27.4	2.54	193	42.6	
	140x70	9.61	140	70	3	6	12.01	306.24	43.75	54.10	5.05	104.69	29.91	33.49	2.95	251.99	50.82
		12.60	140	70	4	8	15.75	392.60	56.09	70.08	4.99	133.18	38.05	43.24	2.91	326.02	64.52
		15.48	140	70	5	10	19.36	471.48	67.35	85.07	4.94	158.71	45.35	52.32	2.86	395.06	76.77
		18.27	140	70	6	12	22.83	543.10	77.59	99.07	4.88	181.44	51.84	60.73	2.82	459.09	87.65
		23.07	140	70	8	20	28.84	633.87	90.55	121.54	4.69	210.59	60.17	74.91	2.70	569.14	104.38
27.65	140	70	10	25	34.57	710.80	101.54	141.90	4.53	233.81	66.80	87.42	2.60	654.94	116.69		
140x80	10.09	140	80	3	6	12.61	334.40	47.77	58.21	5.15	141.23	35.31	39.64	3.35	317.07	58.97	
	13.24	140	80	4	8	16.55	429.60	61.37	75.52	5.10	180.42	45.10	51.32	3.30	411.60	75.26	
	16.28	140	80	5	10	20.36	517.06	73.87	91.82	5.04	215.94	53.99	62.25	3.26	500.51	90.01	
	19.23	140	80	6	12	24.03	597.00	85.29	107.11	4.98	247.96	61.99	72.45	3.21	583.80	103.31	
	24.35	140	80	8	20	30.44	703.65	100.52	132.10	4.81	291.17	72.79	89.74	3.09	731.35	124.56	
	29.25	140	80	10	25	36.57	795.47	113.64	154.90	4.66	326.77	81.69	105.20	2.99	850.98	141.00	
140x100	10.88	140	100	3	10	13.60	378.8	54.1	65.2	5.28	227.1	45.4	52.1	4.09	463	75.1	
150x50	9.13	150	50	3	6	11.41	298.55	39.81	51.43	5.12	52.65	21.06	23.49	2.15	150.22	37.09	
	11.96	150	50	4	8	14.95	381.39	50.85	66.47	5.05	66.16	26.47	30.13	2.10	192.14	46.37	
	14.68	150	50	5	10	18.36	456.29	60.84	80.49	4.99	77.87	31.15	36.21	2.06	230.05	54.31	
	17.31	150	50	6	12	21.63	523.47	69.80	93.50	4.92	87.89	35.16	41.74	2.02	263.99	61.03	
150x80	10.57	150	80	3	6	13.21	395.80	52.77	64.66	5.47	150.13	37.53	41.95	3.37	348.52	63.29	



Rectangular Hollow Sections Stainless steel

Cold formed and welded acc. to EN 10219-2; grade accord. to EN 10088. Surface condition: external weld bead removed, brushed / blasted and pickled

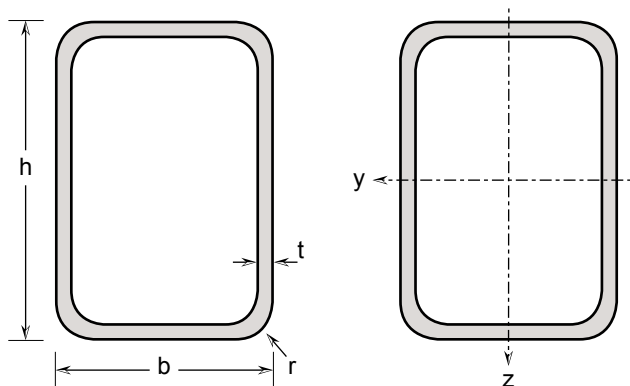
Designation		Dimensions					Structural properties										
							Axis y-y					Axis z-z					
G	h	b	t	r	A	I _y	W _{ely}	W _{ply}	i _y	I _z	W _{elz}	W _{plz}	i _z	I _v	W _v		
kg/m	mm	mm	mm	mm	mm ² x10 ²	mm ⁴ x10 ⁴	mm ³ x10 ³	mm ³ x10 ³	mm x10	mm ⁴ x10 ⁴	mm ³ x10 ³	mm ³ x10 ³	mm x10	mm ⁴ x10 ⁴	mm ³ x10 ³		
150x80	13.88	150	80	4	8	17.35	509.32	67.91	83.99	5.42	191.98	48.00	54.36	3.33	452.62	80.81	
	17.08	150	80	5	10	21.36	614.04	81.87	102.24	5.36	230.03	57.51	66.00	3.28	550.65	96.71	
	20.19	150	80	6	12	25.23	710.20	94.69	119.42	5.31	264.43	66.11	76.89	3.24	642.61	111.07	
	25.63	150	80	8	20	32.04	841.82	112.24	147.72	5.13	311.99	78.00	95.50	3.12	806.45	134.22	
	30.85	150	80	10	25	38.57	956.41	127.52	173.68	4.98	351.44	87.86	112.20	3.02	940.38	152.27	
150x100	11.53	150	100	3	6	14.41	460.64	61.42	73.48	5.65	247.64	49.53	55.76	4.15	507.20	80.83	
	15.16	150	100	4	8	18.95	594.60	79.28	95.67	5.60	318.57	63.71	72.50	4.10	661.63	103.95	
	18.68	150	100	5	10	23.36	719.20	95.89	116.74	5.55	384.02	76.80	88.35	4.05	808.68	125.31	
	22.11	150	100	6	12	27.63	834.69	111.29	136.70	5.50	444.19	88.84	103.32	4.01	948.34	144.97	
	28.19	150	100	8	20	35.24	1003.3	133.77	170.44	5.34	532.75	106.55	129.14	3.89	1205.9	178.17	
	34.05	150	100	10	25	42.57	1152.7	153.70	201.68	5.20	609.20	121.84	152.77	3.78	1425.9	205.55	
	38.45	150	100	12	36	48.06	1158.2	154.43	225.37	4.91	616.04	123.21	173.03	3.58	1572.9	221.50	
160x80	11.05	160	80	3	6	13.81	463.81	57.98	71.42	5.80	159.03	39.76	44.26	3.39	380.34	67.60	
	14.52	160	80	4	8	18.15	597.71	74.71	92.87	5.74	203.54	50.89	57.40	3.35	494.10	86.36	
	17.88	160	80	5	10	22.36	721.69	90.21	113.17	5.68	244.11	61.03	69.75	3.30	601.34	103.41	
	21.15	160	80	6	12	26.43	836.01	104.50	132.34	5.62	280.89	70.22	81.33	3.26	702.06	118.84	
	26.91	160	80	8	20	33.64	996.0	124.50	164.15	5.44	332.82	83.20	101.26	3.15	882.3	143.88	
	32.45	160	80	10	25	40.57	1136.6	142.08	193.46	5.29	376.11	94.03	119.20	3.04	1030.7	163.54	
160x90	11.53	160	90	3	6	14.41	500.79	62.60	76.13	5.90	206.79	45.95	51.32	3.79	465.40	76.96	
	15.16	160	90	4	8	18.95	646.39	80.80	99.11	5.84	265.54	59.01	66.67	3.74	606.16	98.71	
	18.68	160	90	5	10	23.36	781.77	97.72	120.92	5.79	319.52	71.00	81.17	3.70	739.70	118.67	
	22.11	160	90	6	12	27.63	907.19	113.40	141.58	5.73	368.91	81.98	94.84	3.65	866.01	136.93	
	28.19	160	90	8	20	35.24	1088.5	136.07	176.31	5.56	440.94	97.99	118.48	3.54	1096.5	167.33	
	34.05	160	90	10	25	42.57	1249.3	156.16	208.46	5.42	502.35	111.63	139.98	3.44	1291.0	191.96	
	38.45	160	90	12	36	48.06	1248.9	156.12	232.24	5.10	506.74	112.61	158.96	3.25	1413.6	205.36	
180x80	12.01	180	80	3	6	15.01	620.85	68.98	85.82	6.43	176.82	44.21	48.88	3.43	444.87	76.22	



Rectangular Hollow Sections Stainless steel

Cold formed and welded acc. to EN 10219-2; grade accord. to EN 10088. Surface condition: external weld bead removed, brushed / blasted and pickled

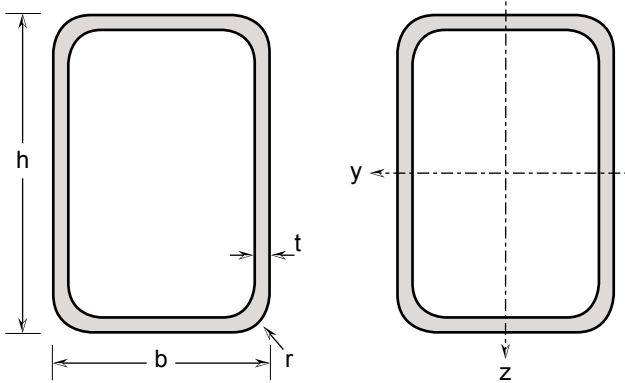
Designation		Dimensions					Structural properties										
							Axis y-y					Axis z-z					
G	h	b	t	r	A	I _y	W _{ely}	W _{ply}	i _y	I _z	W _{elz}	W _{plz}	i _z	I _v	W _v		
kg/m	mm	mm	mm	mm	mm ² x10 ²	mm ⁴ x10 ⁴	mm ³ x10 ³	mm ³ x10 ³	mm	mm ⁴ x10 ⁴	mm ³ x10 ³	mm ³ x10 ³	mm	mm ⁴ x10 ⁴	mm ³ x10 ³		
180x80	15.80	180	80	4	8	19.75	802.12	89.12	111.82	6.37	226.67	56.67	63.48	3.39	578.22	97.46	
	19.48	180	80	5	10	24.36	971.03	107.89	136.53	6.31	272.28	68.07	77.25	3.34	704.11	116.81	
	23.07	180	80	6	12	28.83	1127.9	125.32	159.97	6.25	313.82	78.45	90.21	3.30	822.55	134.37	
	29.47	180	80	8	20	36.84	1355.7	150.63	199.39	6.07	374.46	93.61	112.78	3.19	1036.0	163.20	
180x100	12.97	180	100	3	6	16.21	714.84	79.43	96.44	6.64	289.99	58.00	64.49	4.23	653.88	97.35	
	17.08	180	100	4	8	21.35	926.04	102.89	125.90	6.59	373.89	74.78	84.02	4.19	853.85	125.36	
	21.08	180	100	5	10	26.36	1124.2	124.91	154.03	6.53	451.77	90.35	102.60	4.14	1044.8	151.32	
	24.99	180	100	6	12	31.23	1309.6	145.51	180.85	6.48	523.83	104.77	120.24	4.10	1226.7	175.33	
	32.03	180	100	8	20	40.04	1592.5	176.95	226.91	6.31	634.57	126.91	151.22	3.98	1565.2	216.45	
	38.85	180	100	10	25	48.57	1848.3	205.36	270.03	6.17	731.20	146.24	179.77	3.88	1858.6	250.83	
44.21	180	100	12	36	55.26	1902.5	211.39	302.86	5.87	756.29	151.26	204.71	3.70	2072.9	272.92		
200x50	11.53	200	50	3	6	14.41	633.24	63.32	83.70	6.63	69.24	27.69	30.54	2.19	213.83	49.74	
	15.16	200	50	4	8	18.95	815.49	81.55	108.84	6.56	87.38	34.95	39.33	2.15	273.70	62.32	
	18.68	200	50	5	10	23.36	983.8	98.38	132.63	6.49	103.29	41.32	47.46	2.10	328.0	73.18	
	22.11	200	50	6	12	27.63	1138.6	113.86	155.09	6.42	117.11	46.85	54.94	2.06	376.9	82.46	
200x80	12.97	200	80	3	6	16.21	807.90	80.79	101.43	7.06	194.62	48.65	53.50	3.47	510.39	84.85	
	17.08	200	80	4	8	21.35	1046.0	104.60	132.36	7.00	249.80	62.45	69.56	3.42	663.60	108.56	
	21.08	200	80	5	10	26.36	1269.1	126.91	161.88	6.94	300.44	75.11	84.75	3.38	808.4	130.20	
	24.99	200	80	6	12	31.23	1477.4	147.74	190.01	6.88	346.75	86.69	99.09	3.33	944.8	149.89	
	32.03	200	80	8	20	40.04	1789.0	178.90	237.83	6.68	416.10	104.03	124.30	3.22	1191.8	182.52	
200x100	13.93	200	100	3	6	17.41	924.33	92.43	113.25	7.29	318.23	63.65	70.31	4.28	754.28	108.36	
	18.36	200	100	4	8	22.95	1199.7	119.97	148.04	7.23	410.78	82.16	91.70	4.23	985.38	139.63	
	22.68	200	100	5	10	28.36	1459.3	145.93	181.38	7.17	496.94	99.39	112.10	4.19	1206.3	168.67	
	26.91	200	100	6	12	33.63	1703.3	170.33	213.29	7.12	576.91	115.38	131.52	4.14	1417.0	195.57	
	34.59	200	100	8	20	43.24	2084.1	208.41	268.55	6.94	702.46	140.49	165.94	4.03	1810.7	241.98	
	42.05	200	100	10	25	52.57	2431.7	243.17	320.60	6.80	812.54	162.51	197.77	3.93	2154.1	281.02	



Rectangular Hollow Sections Stainless steel

Cold formed and welded acc. to EN 10219-2; grade accord. to EN 10088. Surface condition: external weld bead removed, brushed / blasted and pickled

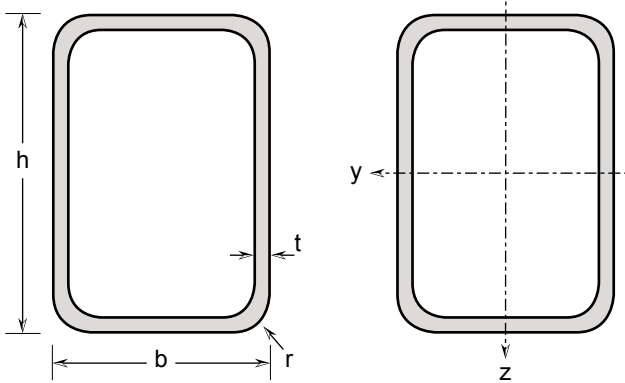
Designation		Dimensions					Structural properties										
							Axis y-y					Axis z-z					
G	h	b	t	r	A	I _y	W _{ely}	W _{ply}	i _y	I _z	W _{elz}	W _{plz}	i _z	I _v	W _v		
kg/m	mm	mm	mm	mm	mm ² x10 ²	mm ⁴ x10 ⁴	mm ³ x10 ³	mm ³ x10 ³	mm x10	mm ⁴ x10 ⁴	mm ³ x10 ³	mm ³ x10 ³	mm x10	mm ⁴ x10 ⁴	mm ³ x10 ³		
200x100	48.05	200	100	12	36	60.06	2534.8	253.48	360.52	6.50	849.80	169.96	225.83	3.76	2414.4	307.20	
200x150	16.33	200	150	3	6	20.41	1215.4	121.54	142.80	7.72	784.82	104.64	117.58	6.20	1478.2	167.28	
	21.56	200	150	4	8	26.95	1583.9	158.39	187.24	7.67	1021.0	136.14	154.07	6.16	1942.0	217.63	
	26.68	200	150	5	10	33.36	1934.7	193.47	230.13	7.62	1245.0	166.00	189.24	6.11	2391.4	265.41	
	31.71	200	150	6	12	39.63	2268.0	226.80	271.49	7.56	1457.1	194.28	223.10	6.06	2826.2	310.70	
	40.99	200	150	8	20	51.24	2821.8	282.18	345.35	7.42	1810.7	241.43	284.04	5.94	3664.9	392.71	
	50.05	200	150	10	25	62.57	3335.0	333.50	415.60	7.30	2134.4	284.59	341.68	5.84	4428.4	465.72	
	57.65	200	150	12	36	72.06	3596.6	359.66	473.32	7.06	2303.7	307.16	390.97	5.65	5099.2	523.75	
250x100	16.33	250	100	3	6	20.41	1605.6	128.45	160.52	8.87	388.82	77.76	84.86	4.36	1011.7	135.89	
	21.56	250	100	4	8	26.95	2091.7	167.33	210.41	8.81	503.0	100.60	110.90	4.32	1322.5	175.31	
	26.68	250	100	5	10	33.36	2553.8	204.30	258.52	8.75	609.9	121.97	135.85	4.28	1620.1	212.03	
	31.71	250	100	6	12	39.63	2992.3	239.39	304.87	8.69	709.6	141.93	159.72	4.23	1904.5	246.16	
	40.99	250	100	8	20	51.24	3705.4	296.43	386.66	8.50	872.2	174.43	202.74	4.13	2438.7	305.79	
	50.05	250	100	10	25	62.57	4367.7	349.42	464.51	8.36	1015.9	203.17	242.77	4.03	2909.6	356.48	
	57.65	250	100	12	36	72.06	4662.2	372.98	525.67	8.04	1083.6	216.71	278.63	3.88	3287.0	392.90	
250x150	24.76	250	150	4	8	30.95	2696.9	215.75	259.61	9.33	1234.2	164.57	183.27	6.32	2664.7	273.21	
	30.68	250	150	5	10	38.36	3304.2	264.33	319.77	9.28	1508.0	201.06	225.49	6.27	3284.5	333.58	
	36.51	250	150	6	12	45.63	3885.6	310.85	378.07	9.23	1768.3	235.78	266.30	6.23	3885.8	390.98	
	47.39	250	150	8	20	59.24	4877.1	390.17	483.46	9.07	2214.4	295.26	340.84	6.11	5050.4	495.81	
	58.05	250	150	10	25	72.57	5808.6	464.68	584.51	8.95	2625.2	350.03	411.68	6.01	6120.7	589.88	
	67.25	250	150	12	36	84.06	6363.0	509.04	668.47	8.70	2876.5	383.53	473.77	5.85	7088.5	667.32	
300x100	24.76	300	100	4	8	30.95	3320.5	221.36	282.78	10.36	595.2	119.04	130.10	4.39	1667.9	210.99	
	30.68	300	100	5	10	38.36	4065.2	271.01	348.16	10.29	722.8	144.55	159.60	4.34	2043.8	255.39	
	36.51	300	100	6	12	45.63	4776.8	318.45	411.45	10.23	842.4	168.47	187.92	4.30	2403.5	296.76	
	47.39	300	100	8	20	59.24	5967.3	397.82	524.76	10.04	1041.9	208.37	239.54	4.19	3080.3	369.60	
	58.05	300	100	10	25	72.57	7085.8	472.39	633.43	9.88	1219.2	243.84	287.77	4.10	3681.0	431.95	



Rectangular Hollow Sections Stainless steel

Cold formed and welded acc. to EN 10219-2; grade accord. to EN 10088. Surface condition: external weld bead removed, brushed / blasted and pickled

Designation		Dimensions					Structural properties										
							Axis y-y					Axis z-z					
G	h	b	t	r	A	I _y	W _{ely}	W _{ply}	i _y	I _z	W _{elz}	W _{plz}	i _z	I _v	W _v		
kg/m	mm	mm	mm	mm	mm ² x10 ²	mm ⁴ x10 ⁴	mm ³ x10 ³	mm ³ x10 ³	mm	mm ⁴ x10 ⁴	mm ³ x10 ³	mm ³ x10 ³	mm	mm ⁴ x10 ⁴	mm ³ x10 ³		
300x100	67.25	300	100	12	36	84.06	7690.4	512.69	720.82	9.56	1317.3	263.46	331.43	3.96	4177.5	478.61	
300x150	27.96	300	150	4	8	34.95	4196.7	279.78	341.98	10.96	1447.5	192.99	212.47	6.44	3417.1	328.79	
	34.68	300	150	5	10	43.36	5153.1	343.54	421.91	10.90	1770.9	236.12	261.74	6.39	4214.3	401.76	
	41.31	300	150	6	12	51.63	6073.5	404.90	499.65	10.85	2079.6	277.28	309.50	6.35	4988.5	471.26	
	53.79	300	150	8	20	67.24	7673.0	511.53	641.56	10.68	2618.1	349.08	397.64	6.24	6490.6	598.91	
	66.05	300	150	10	25	82.57	9189.2	612.61	778.43	10.55	3116.1	415.48	481.68	6.14	7878.6	714.04	
	76.85	300	150	12	36	96.06	10180.1	678.68	893.62	10.29	3449.2	459.90	556.57	5.99	9153.1	810.89	
300x200	38.68	300	200	5	10	48.36	6241.1	416.07	495.66	11.36	3360.9	336.09	376.38	8.34	6835.8	548.66	
	46.11	300	200	6	12	57.63	7370.2	491.35	587.85	11.31	3962.2	396.22	446.09	8.29	8115.2	646.65	
	60.19	300	200	8	20	75.24	9378.7	625.25	758.36	11.16	5034.9	503.49	575.75	8.18	10627	830.20	
	74.05	300	200	10	25	92.57	11292.5	752.83	923.43	11.05	6045.0	604.50	700.60	8.08	12987	999.71	
	86.45	300	200	12	36	108.06	12669.9	844.66	1066.4	10.83	6781.9	678.19	811.72	7.92	15236	1149.1	
350x150	46.11	350	150	6	12	57.63	8906.9	508.96	636.23	12.43	2390.8	318.77	352.70	6.44	6120.8	551.54	
	60.19	350	150	8	20	75.24	11309.4	646.25	819.67	12.26	3021.8	402.91	454.44	6.34	7967.9	702.01	
	74.05	350	150	10	25	92.57	13601.9	777.25	997.35	12.12	3606.9	480.92	551.68	6.24	9681.0	838.20	
	86.45	350	150	12	36	108.06	15198.0	868.46	1148.8	11.86	4022.0	536.27	639.37	6.10	11268	954.46	
350x250	55.71	350	250	6	12	69.63	12457.3	711.85	842.63	13.38	7458.4	596.68	670.87	10.35	14554	962.44	
	72.99	350	250	8	20	91.24	15988.8	913.65	1093.3	13.24	9564.0	765.12	870.66	10.24	19136	1244.8	
	90.05	350	250	10	25	112.57	19383.5	1107.6	1337.3	13.12	11571.9	925.75	1064.5	10.14	23500	1510.0	
	105.65	350	250	12	36	132.06	22055.5	1260.3	1554.4	12.92	13166.0	1053.3	1239.7	9.98	27749	1751.7	
400x200	55.71	400	200	6	12	69.63	14789.4	739.47	906.01	14.57	5091.6	509.16	562.49	8.55	12069	866.87	
	72.99	400	200	8	20	91.24	18960.0	948.00	1174.6	14.42	6510.3	651.03	729.35	8.45	15820	1115.6	
	90.05	400	200	10	25	112.57	22975.0	1148.7	1436.3	14.29	7851.7	785.17	890.60	8.35	19368	1346.6	
	105.65	400	200	12	36	132.06	26084.4	1304.2	1666.7	14.05	8905.4	890.54	1037.3	8.21	22782	1553.9	



Rectangular Hollow Sections Stainless steel

Cold formed and welded acc. to EN 10219-2; grade accord. to EN 10088. Surface condition: external weld bead removed, brushed / blasted and pickled

Designation		Dimensions					Structural properties										
							Axis y-y					Axis z-z					
G	h	b	t	r	A	I _y	W _{ely}	W _{ply}	i _y	I _z	W _{elz}	W _{plz}	i _z	I _v	W _v		
kg/m	mm	mm	mm	mm	mm ²	mm ⁴	mm ³	mm ³	mm	mm ⁴	mm ³	mm ³	mm	mm ⁴	mm ³		
					x10 ²	x10 ⁴	x10 ³	x10 ³	x10	x10 ⁴	x10 ³	x10 ³	x10	x10 ⁴	x10 ³		
400x300	85.79	400	300	8	20	107.24	25107.4	1255.4	1488.2	15.30	16201.5	1080.1	1225.6	12.29	31179	1739.6	
	106.05	400	300	10	25	132.57	30581.6	1529.1	1826.3	15.19	19705.8	1313.7	1503.4	12.19	38407	2120.5	
	124.85	400	300	12	36	156.06	35119.9	1756.0	2132.3	15.00	22628.9	1508.6	1757.6	12.04	45527	2474.6	
500x200	85.79	500	200	8	20	107.24	33103.4	1324.1	1670.8	17.57	7985.8	798.6	883.0	8.63	21225	1401.1	
	106.05	500	200	10	25	132.57	40285.7	1611.4	2049.1	17.43	9658.4	965.8	1080.6	8.54	26005	1693.5	
500x200	124.85	500	200	12	36	156.06	46101.9	1844.1	2387.0	17.19	11028.9	1102.9	1262.9	8.41	30620	1958.7	
500x300	98.59	500	300	8	20	123.24	42786.9	1711.5	2064.4	18.63	19612.9	1307.5	1459.2	12.62	42767	2184.2	
	122.05	500	300	10	25	152.57	52292.4	2091.7	2539.1	18.51	23912.5	1594.2	1793.4	12.52	52736	2665.8	
	144.05	500	300	12	36	180.06	60393.4	2415.7	2972.6	18.31	27608.5	1840.6	2103.2	12.38	62581	3116.8	