

Equal leg angles

Dimensions: in accordance with EN 10056-1: 1998
Tolerances: EN 10056-2:1993.

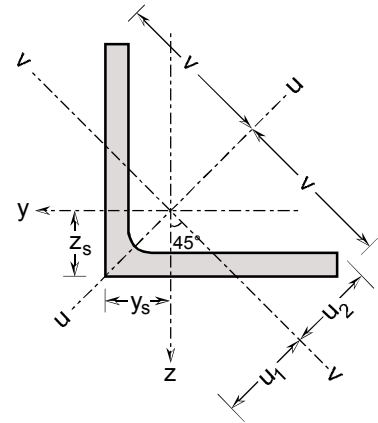
General properties									
Designation		Dimensions				Position of axes			
	G kg/m	h = b mm	t mm	r mm	A mm ² x10 ²	z _s =y _s mm	v mm	u ₁ mm	u ₂ mm
L 15 x 15 x 2	0.45	15	2	2.5	0.57	4.39	10.61	6.21	5.29
L 15 x 15 x 3	0.66	15	3	3	0.82	4.76	10.61	6.73	5.37
L 20 x 20 x 2	0.89	20	3	2.5	1.12	6.03	14.14	8.53	7.21
L 20 x 20 x 3	0.90	20	3	3.5	1.12	5.98	14.14	8.46	7.08
L 20 x 20 x 4	1.16	20	4	3.5	1.45	6.37	14.14	9.01	7.24
L 25 x 25 x 3	1.14	25	3	3.5	1.42	7.23	17.68	10.22	8.85
L 25 x 25 x 4	1.48	25	4	3.5	1.85	7.62	17.68	10.78	9.01
L 25 x 25 x 5	1.82	25	5	5	2.28	7.93	17.68	11.22	8.96
L 30 x 30 x 3	1.39	30	3	5	1.74	8.35	21.21	11.81	10.49
L 30 x 30 x 4	1.81	30	4	5	2.27	8.78	21.21	12.42	10.58
L 30 x 30 x 5	2.22	30	5	5	2.78	9.18	21.21	12.99	10.73
L 30 x 30 x 6	2.61	30	6	5	3.27	9.56	21.21	13.52	10.90
L 35 x 35 x 4	2.13	35	4	5	2.67	10.03	24.75	14.18	12.36
L 35 x 35 x 5	2.62	35	5	5	3.28	10.43	24.75	14.75	12.50
L 40 x 40 x 3	1.87	40	3	5	2.34	10.84	28.28	15.33	14.04
L 40 x 40 x 4	2.46	40	4	6	3.08	11.20	28.28	15.83	14.04
L 40 x 40 x 5	3.03	40	5	6	3.79	11.62	28.28	16.43	14.14
L 40 x 40 x 6	3.58	40	6	6	4.48	12.02	28.28	17.00	14.29
L 45 x 45 x 3	2.13	45	3	7	2.66	11.84	31.82	16.74	15.75
L 45 x 45 x 4	2.79	45	4	7	3.49	12.35	31.82	17.46	15.74
L 45 x 45 x 5	3.44	45	5	7	4.30	12.79	31.82	18.09	15.81
L 50 x 50 x 3	2.37	50	3	7	2.96	13.08	35.36	18.49	17.53
L 50 x 50 x 4	3.11	50	4	7	3.89	13.59	35.36	19.21	17.52

* Profiles are also available laser fused with full penetration, equivalent to hot rolled (r = laser seam).

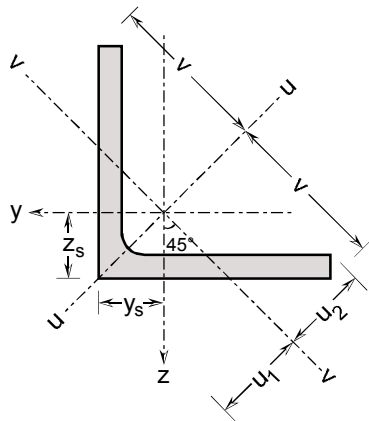
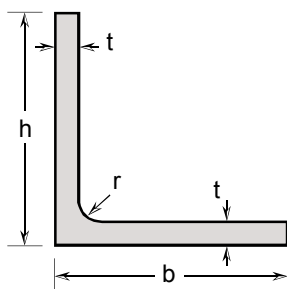


Stainless steel

Grade according to EN 10088-3: 1D
Surface condition: blasted and pickled



Structural properties								
Designation	Axis y-y / axis z-z			Axis u-u		Axis v-v		I_{yz} mm ⁴ x10 ⁴
	$I_y=I_z$ mm ⁴ x10 ⁴	$W_{el,y}=W_{el,z}$ mm ³ x10 ³	$i_y=i_z$ mm x10	I_u mm ⁴ x10 ⁴	i_u mm x10	I_v mm ⁴ x10 ⁴	i_v mm x10	
L 15 x 15 x 2	0.11	0.11	0.45	0.18	0.56	0.05	0.29	-0.07
L 15 x 15 x 3	0.15	0.15	0.43	0.24	0.54	0.07	0.29	-0.09
L 20 x 20 x 2	0.40	0.28	0.60	0.63	0.75	0.17	0.39	-0.23
L 20 x 20 x 3	0.39	0.28	0.59	0.62	0.74	0.16	0.38	-0.23
L 20 x 20 x 4	0.49	0.36	0.58	0.77	0.73	0.21	0.38	-0.28
L 25 x 25 x 3	0.80	0.45	0.75	1.27	0.95	0.33	0.48	-0.47
L 25 x 25 x 4	1.02	0.59	0.74	1.61	0.93	0.43	0.48	-0.59
L 25 x 25 x 5	1.19	0.70	0.72	1.87	0.91	0.51	0.48	-0.68
L 30 x 30 x 3	1.40	0.65	0.90	2.22	1.13	0.59	0.58	-0.82
L 30 x 30 x 4	1.80	0.85	0.89	2.85	1.12	0.75	0.58	-1.05
L 30 x 30 x 5	2.16	1.04	0.88	3.41	1.11	0.92	0.57	-1.25
L 30 x 30 x 6	2.49	1.22	0.87	3.91	1.09	1.08	0.57	-1.41
L 35 x 35 x 4	2.95	1.18	1.05	4.68	1.32	1.23	0.68	-1.73
L 35 x 35 x 5	3.56	1.45	1.04	5.63	1.31	1.49	0.68	-2.07
L 40 x 40 x 3	3.49	1.20	1.22	5.53	1.54	1.45	0.79	-2.04
L 40 x 40 x 4	4.47	1.55	1.21	7.09	1.52	1.86	0.78	-2.61
L 40 x 40 x 5	5.43	1.91	1.20	8.59	1.51	2.26	0.77	-3.17
L 40 x 40 x 6	6.31	2.26	1.19	9.97	1.49	2.65	0.77	-3.66
L 45 x 45 x 3	4.93	1.49	1.36	7.78	1.71	2.07	0.88	-2.85
L 45 x 45 x 4	6.43	1.97	1.36	10.18	1.71	2.68	0.88	-3.75
L 45 x 45 x 5	7.84	2.43	1.35	12.42	1.70	3.26	0.87	-4.58
L 50 x 50 x 3	6.86	1.86	1.52	10.84	1.91	2.88	0.99	-3.98
L 50 x 50 x 4	8.97	2.46	1.52	14.22	1.91	3.73	0.98	-5.24



Equal leg angles

Dimensions: in accordance with EN 10056-1: 1998
Tolerances: EN 10056-2:1993.

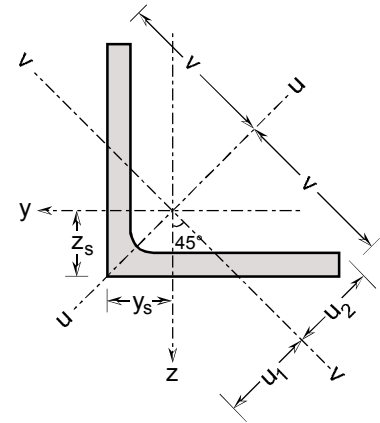
General properties									
Designation		Dimensions				Position of axes			
	G kg/m	h = b mm	t mm	r mm	A mm ² x10 ²	z _s =y _s mm	v mm	u ₁ mm	u ₂ mm
L 50 x 50 x 5	3.80	50	5	7 / 2 *	4.75	14.31	35.36	20.24	18.23
L 50 x 50 x 6	4.52	50	6	7 / 2 *	5.64	14.68	35.36	20.76	18.42
L 50 x 50 x 7	5.21	50	7	7 / 2 *	6.51	15.04	35.36	21.27	18.62
L 50 x 50 x 8	5.89	50	8	7 / 2 *	7.36	15.40	35.36	21.77	18.82
L 60 x 60 x 5	4.60	60	5	8 / 2 *	5.75	16.82	42.43	23.79	21.76
L 60 x 60 x 6	5.48	60	6	8 / 2 *	6.84	17.19	42.43	24.31	21.95
L 60 x 60 x 7	6.33	60	7	8 / 2 *	7.91	17.55	42.43	24.82	22.14
L 60 x 60 x 8	7.17	60	8	8 / 2 *	8.96	17.91	42.43	25.33	22.34
L 60 x 60 x 10	8.80	60	10	8 / 2 *	11.00	18.62	42.43	26.34	22.75
L 65 x 65 x 6	5.96	65	6	9 / 2 *	7.44	18.44	45.96	26.08	23.71
L 65 x 65 x 7	6.89	65	7	9 / 2 *	8.61	18.81	45.96	26.59	23.90
L 65 x 65 x 8	7.81	65	8	9 / 2 *	9.76	19.17	45.96	27.11	24.10
L 65 x 65 x 9	8.72	65	9	9 / 2 *	10.89	19.53	45.96	27.61	24.30
L 65 x 65 x 10	9.60	65	10	9 / 2 *	12.00	19.88	45.96	28.12	24.50
L 70 x 70 x 5	5.40	70	5	9 / 2 *	6.75	19.32	49.50	27.33	25.29
L 70 x 70 x 6	6.44	70	6	9 / 2 *	8.04	19.69	49.50	27.85	25.48
L 70 x 70 x 7	7.45	70	7	9 / 2 *	9.31	20.06	49.50	28.37	25.67
L 70 x 70 x 8	8.45	70	8	10 / 2 *	10.56	20.42	49.50	28.88	25.86
L 70 x 70 x 9	9.44	70	9	9 / 2 *	11.79	20.78	49.50	29.39	26.06
L 70 x 70 x 10	10.40	70	10	9 / 2 *	13.00	21.14	49.50	29.90	26.26
L 75 x 75 x 5	5.80	75	5	9 / 2 *	7.25	20.57	53.03	29.10	27.06
L 75 x 75 x 6	6.92	75	6	9 / 2 *	8.64	20.94	53.03	29.62	27.24
L 75 x 75 x 7	8.01	75	7	9 / 2 *	10.01	21.31	53.03	30.14	27.43
L 75 x 75 x 8	9.09	75	8	9 / 2 *	11.36	21.68	53.03	30.65	27.62
L 75 x 75 x 9	10.16	75	9	9 / 2 *	12.69	22.04	53.03	31.17	27.82
L 75 x 75 x 10	11.20	75	10	9 / 2 *	14.00	22.40	53.03	31.67	28.02

* Profiles are also available laser fused with full penetration, equivalent to hot rolled (r = laser seam).



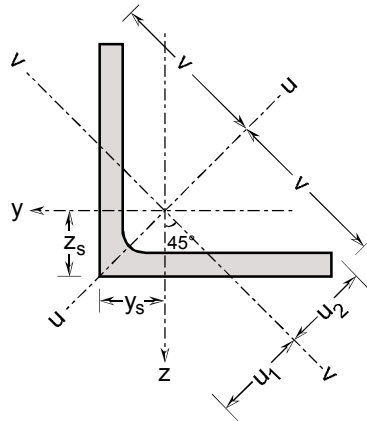
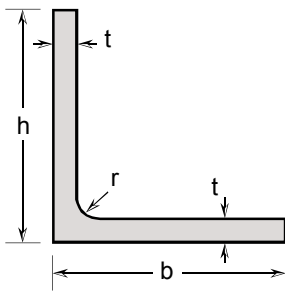
Stainless steel

Grade according to EN 10088-3: 1D
Surface condition: blasted and pickled



Structural properties

Designation	Axis y-y / axis z-z			Axis u-u		Axis v-v		I_{yz} mm ⁴ x10 ⁴
	$I_y=I_z$ mm ⁴ x10 ⁴	$W_{el,y}=W_{el,z}$ mm ³ x10 ³	$i_y=i_z$ mm x10	I_u mm ⁴ x10 ⁴	i_u mm x10	I_v mm ⁴ x10 ⁴	i_v mm x10	
L 50 x 50 x 5	11.23	3.15	1.54	17.87	1.94	4.59	0.98	-6.64
L 50 x 50 x 6	13.10	3.71	1.52	20.81	1.92	5.40	0.98	-7.70
L 50 x 50 x 7	14.87	4.25	1.51	23.55	1.90	6.19	0.97	-8.68
L 50 x 50 x 8	16.54	4.78	1.50	26.11	1.88	6.97	0.97	-9.57
L 60 x 60 x 5	19.88	4.60	1.86	31.68	2.35	8.07	1.18	-11.80
L 60 x 60 x 6	23.30	5.44	1.84	37.08	2.33	9.51	1.18	-13.78
L 60 x 60 x 7	26.55	6.26	1.83	42.19	2.31	10.92	1.17	-15.63
L 60 x 60 x 8	29.65	7.05	1.82	47.01	2.29	12.30	1.17	-17.36
L 60 x 60 x 10	35.43	8.56	1.79	55.86	2.25	15.00	1.17	-20.43
L 65 x 65 x 6	29.95	6.43	2.01	47.70	2.53	12.20	1.28	-17.75
L 65 x 65 x 7	34.19	7.40	1.99	54.38	2.51	14.01	1.28	-20.19
L 65 x 65 x 8	38.25	8.35	1.98	60.72	2.49	15.78	1.27	-22.47
L 65 x 65 x 9	42.13	9.26	1.97	66.73	2.47	17.52	1.27	-24.61
L 65 x 65 x 10	45.84	10.16	1.95	72.44	2.46	19.24	1.27	-26.60
L 70 x 70 x 5	32.12	6.34	2.18	51.24	2.75	13.00	1.39	-19.12
L 70 x 70 x 6	37.76	7.51	2.17	60.19	2.74	15.34	1.38	-22.42
L 70 x 70 x 7	43.18	8.65	2.15	68.72	2.72	17.63	1.38	-25.55
L 70 x 70 x 8	48.37	9.76	2.14	76.86	2.70	19.87	1.37	-28.50
L 70 x 70 x 9	53.34	10.84	2.13	84.62	2.68	22.06	1.37	-31.28
L 70 x 70 x 10	58.12	11.89	2.11	92.01	2.66	24.23	1.36	-33.89
L 75 x 75 x 5	39.78	7.31	2.34	63.48	2.96	16.07	1.49	-23.70
L 75 x 75 x 6	46.83	8.66	2.33	74.68	2.94	18.99	1.48	-27.84
L 75 x 75 x 7	53.61	9.99	2.31	85.39	2.92	21.83	1.48	-31.78
L 75 x 75 x 8	60.13	11.28	2.30	95.65	2.90	24.61	1.47	-35.52
L 75 x 75 x 9	66.40	12.54	2.29	105.46	2.88	27.34	1.47	-39.06
L 75 x 75 x 10	72.43	13.77	2.27	114.83	2.86	30.03	1.46	-42.40



Equal leg angles

Dimensions: in accordance with EN 10056-1: 1998
Tolerances: EN 10056-2:1993.

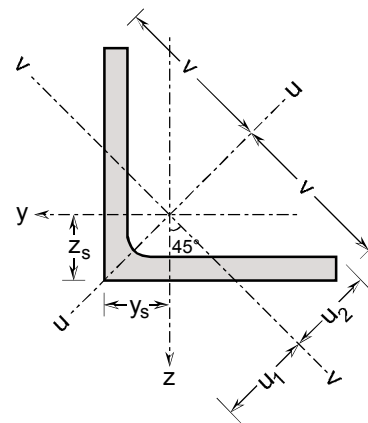
General properties									
Designation		Dimensions				Position of axes			
	G kg/m	h = b mm	t mm	r mm	A mm ² x10 ²	z _s =y _s mm	v mm	u ₁ mm	u ₂ mm
L 80 x 80 x 6	7.40	80	6	10 / 2 *	9.24	22.20	56.57	31.39	29.01
L 80 x 80 x 7	8.57	80	7	10 / 2 *	10.71	22.56	56.57	31.91	29.19
L 80 x 80 x 8	9.73	80	8	10 / 2 *	12.16	22.93	56.57	32.43	29.38
L 80 x 80 x 9	10.88	80	9	10 / 2 *	13.59	23.29	56.57	32.94	29.58
L 80 x 80 x 10	12.00	80	10	10 / 2 *	15.00	23.65	56.57	33.45	29.77
L 90 x 90 x 6	8.36	90	6	10 / 2 *	10.44	24.70	63.64	34.93	32.54
L 90 x 90 x 7	9.69	90	7	11 / 2 *	12.11	25.07	63.64	35.45	32.72
L 90 x 90 x 8	11.01	90	8	11 / 2 *	13.76	25.44	63.64	35.97	32.91
L 90 x 90 x 9	12.32	90	9	11 / 2 *	15.39	25.80	63.64	36.49	33.10
L 90 x 90 x 10	13.60	90	10	11 / 2 *	17.00	26.16	63.64	37.00	33.30
L 100 x 100 x 6	9.32	100	6	12 / 2 *	11.64	27.20	70.71	38.47	36.07
L 100 x 100 x 7	10.81	100	7	12 / 2 *	13.51	27.57	70.71	38.99	36.25
L 100 x 100 x 8	12.29	100	8	12 / 2 *	15.36	27.94	70.71	39.51	36.44
L 100 x 100 x 9	13.76	100	9	12 / 2 *	17.19	28.31	70.71	40.03	36.63
L 100 x 100 x 10	15.20	100	10	12 / 2 *	19.00	28.67	70.71	40.55	36.82
L 100 x 100 x 12	18.05	100	12	12 / 2 *	22.56	29.39	70.71	41.57	37.21
L 110 x 110 x 6	10.28	110	6	12 / 2 *	12.84	29.70	77.78	42.01	39.60
L 110 x 110 x 7	11.93	110	7	12 / 2 *	14.91	30.08	77.78	42.53	39.78
L 110 x 110 x 8	13.57	110	8	12 / 2 *	16.96	30.44	77.78	43.05	39.97
L 110 x 110 x 9	15.20	110	9	12 / 2 *	18.99	30.81	77.78	43.57	40.16
L 110 x 110 x 10	16.80	110	10	13 / 2 *	21.00	31.18	77.78	44.09	40.35
L 110 x 110 x 11	18.40	110	11	13 / 2 *	22.99	31.54	77.78	44.60	40.54
L 110 x 110 x 12	19.97	110	12	13 / 2 *	24.96	31.90	77.78	45.12	40.74
L 120 x 120 x 7	13.05	120	7	13 / 2 *	16.31	32.58	84.85	46.07	43.32
L 120 x 120 x 8	14.85	120	8	13 / 2 *	18.56	32.95	84.85	46.59	43.50
L 120 x 120 x 9	16.64	120	9	13 / 2 *	20.79	33.31	84.85	47.11	43.69
L 120 x 120 x 10	18.40	120	10	13 / 2 *	23.00	33.68	84.85	47.63	43.88

* Profiles are also available laser fused with full penetration, equivalent to hot rolled (r = laser seam).



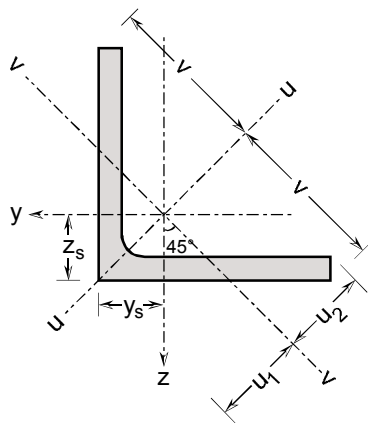
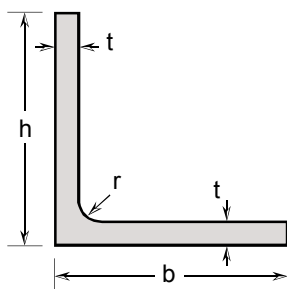
Stainless steel

Grade according to EN 10088-3: 1D
Surface condition: blasted and pickled



Structural properties

Designation	Axis y-y / axis z-z			Axis u-u		Axis v-v		I_{yz} mm ⁴ x10 ⁴
	$I_y=I_z$ mm ⁴ x10 ⁴	$W_{el,y}=W_{el,z}$ mm ³ x10 ³	$i_y=i_z$ mm x10	I_u mm ⁴ x10 ⁴	i_u mm x10	I_v mm ⁴ x10 ⁴	i_v mm x10	
L 80 x 80 x 6	57.25	9.90	2.49	91.33	3.14	23.18	1.58	-34.07
L 80 x 80 x 7	65.62	11.42	2.47	104.57	3.12	26.66	1.58	-38.95
L 80 x 80 x 8	73.67	12.91	2.46	117.27	3.10	30.07	1.57	-43.60
L 80 x 80 x 9	81.44	14.36	2.45	129.46	3.09	33.42	1.57	-48.02
L 80 x 80 x 10	88.93	15.78	2.43	141.14	3.07	36.71	1.56	-52.22
L 90 x 90 x 6	82.52	12.64	2.81	131.71	3.55	33.33	1.79	-49.19
L 90 x 90 x 7	94.75	14.59	2.80	151.12	3.53	38.38	1.78	-56.37
L 90 x 90 x 8	106.58	16.51	2.78	169.84	3.51	43.32	1.77	-63.26
L 90 x 90 x 9	118.03	18.38	2.77	187.89	3.49	48.17	1.77	-69.86
L 90 x 90 x 10	129.11	20.22	2.76	205.28	3.47	52.94	1.76	-76.17
L 100 x 100 x 6	114.30	15.70	3.13	182.52	3.96	46.09	1.99	-68.22
L 100 x 100 x 7	131.45	18.15	3.12	209.77	3.94	53.12	1.98	-78.32
L 100 x 100 x 8	148.09	20.55	3.10	236.16	3.92	60.01	1.98	-88.07
L 100 x 100 x 9	164.24	22.91	3.09	261.70	3.90	66.78	1.97	-97.46
L 100 x 100 x 10	179.92	25.22	3.08	286.41	3.88	73.42	1.97	-106.49
L 100 x 100 x 12	209.92	29.73	3.05	333.42	3.84	86.43	1.96	-123.50
L 110 x 110 x 6	153.36	19.10	3.46	244.97	4.37	61.76	2.19	-91.61
L 110 x 110 x 7	176.59	22.09	3.44	281.93	4.35	71.24	2.19	-105.34
L 110 x 110 x 8	199.19	25.04	3.43	317.83	4.33	80.55	2.18	-118.64
L 110 x 110 x 9	221.19	27.93	3.41	352.69	4.31	89.68	2.17	-131.51
L 110 x 110 x 10	242.60	30.78	3.40	386.54	4.29	98.66	2.17	-143.94
L 110 x 110 x 11	263.44	33.58	3.38	419.38	4.27	107.50	2.16	-155.94
L 110 x 110 x 12	283.73	36.33	3.37	451.24	4.25	116.22	2.16	-167.51
L 120 x 120 x 7	231.05	26.43	3.76	369.00	4.76	93.09	2.39	-137.95
L 120 x 120 x 8	260.89	29.97	3.75	416.46	4.74	105.32	2.38	-155.57
L 120 x 120 x 9	290.00	33.45	3.73	462.68	4.72	117.33	2.38	-172.67
L 120 x 120 x 10	318.40	36.89	3.72	507.66	4.70	129.14	2.37	-189.26



Equal leg angles

Dimensions: in accordance with EN 10056-1: 1998
Tolerances: EN 10056-2:1993.

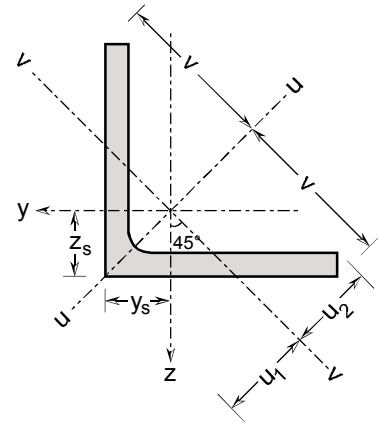
General properties									
Designation		Dimensions				Position of axes			
	G kg/m	h = b mm	t mm	r mm	A mm ² x10 ²	z _s =y _s mm	v mm	u ₁ mm	u ₂ mm
L 120 x 120 x 11	20.16	120	11	13 / 2 *	25.19	34.05	84.85	48.15	44.07
L 120 x 120 x 12	21.89	120	12	13 / 2 *	27.36	34.41	84.85	48.66	44.26
L 120 x 120 x 13	23.61	120	13	13 / 2 *	29.51	34.77	84.85	49.17	44.46
L 120 x 120 x 14	25.32	120	14	13 / 2 *	31.64	35.13	84.85	49.68	44.65
L 120 x 120 x 15	27.00	120	15	13 / 2 *	33.75	35.49	84.85	50.19	44.85
L 120 x 120 x 16	28.68	120	16	13 / 2 *	35.84	35.85	84.85	50.70	45.05
L 130 x 130 x 8	16.13	130	8	14 / 2 *	20.16	35.45	91.92	50.13	47.03
L 130 x 130 x 9	18.08	130	9	14 / 2 *	22.59	35.82	91.92	50.65	47.22
L 130 x 130 x 10	20.00	130	10	14 / 2 *	25.00	36.19	91.92	51.17	47.41
L 130 x 130 x 11	21.92	130	11	14 / 2 *	27.39	36.55	91.92	51.69	47.60
L 130 x 130 x 12	23.81	130	12	14 / 2 *	29.76	36.92	91.92	52.21	47.79
L 130 x 130 x 13	25.69	130	13	14 / 2 *	32.11	37.28	91.92	52.72	47.98
L 130 x 130 x 14	27.56	130	14	14 / 2 *	34.44	37.64	91.92	53.23	48.18
L 130 x 130 x 15	29.40	130	15	14 / 2 *	36.75	38.00	91.92	53.74	48.37
L 130 x 130 x 16	31.24	130	16	14 / 2 *	39.04	38.36	91.92	54.25	48.57
L 140 x 140 x 9	19.52	140	9	15 / 2 *	24.39	38.32	98.99	54.19	50.75
L 140 x 140 x 10	21.60	140	10	15 / 2 *	27.00	38.69	98.99	54.71	50.94
L 140 x 140 x 11	23.68	140	11	15 / 2 *	29.59	39.06	98.99	55.23	51.13
L 140 x 140 x 12	25.73	140	12	15 / 2 *	32.16	39.42	98.99	55.75	51.32
L 140 x 140 x 13	27.77	140	13	15 / 2 *	34.71	39.78	98.99	56.26	51.51
L 140 x 140 x 14	29.80	140	14	15 / 2 *	37.24	40.15	98.99	56.78	51.70
L 140 x 140 x 15	31.80	140	15	15 / 2 *	39.75	40.51	98.99	57.29	51.90
L 140 x 140 x 16	33.80	140	16	15 / 2 *	42.24	40.87	98.99	57.80	52.10
L 150 x 150 x 10	23.20	150	10	16 / 2 *	29.00	41.19	106.07	58.25	54.47
L 150 x 150 x 12	27.65	150	12	16 / 2 *	34.56	41.93	106.07	59.29	54.85
L 150 x 150 x 13	29.85	150	13	16 / 2 *	37.31	42.29	106.07	59.81	55.04
L 150 x 150 x 14	32.04	150	14	16 / 2 *	40.04	42.65	106.07	60.32	55.23
L 150 x 150 x 15	34.20	150	15	16 / 2 *	42.75	43.02	106.07	60.83	55.42

* Profiles are also available laser fused with full penetration, equivalent to hot rolled (r = laser seam).



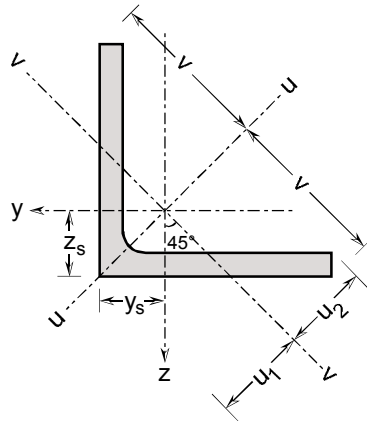
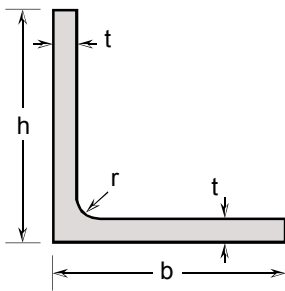
Stainless steel

Grade according to EN 10088-3: 1D
Surface condition: blasted and pickled



Structural properties

Designation	Axis y-y / axis z-z			Axis u-u		Axis v-v		I_{yz} mm ⁴ x10 ⁴
	$I_y=I_z$ mm ⁴ x10 ⁴	$W_{el,y}=W_{el,z}$ mm ³ x10 ³	$i_y=i_z$ mm x10	I_u mm ⁴ x10 ⁴	i_u mm x10	I_v mm ⁴ x10 ⁴	i_v mm x10	
L 120 x 120 x 11	346.10	40.27	3.71	551.43	4.68	140.78	2.36	-205.32
L 120 x 120 x 12	373.13	43.59	3.69	594.01	4.66	152.25	2.36	-220.88
L 120 x 120 x 13	399.50	46.87	3.68	635.42	4.64	163.58	2.35	-235.92
L 120 x 120 x 14	425.24	50.11	3.67	675.69	4.62	174.78	2.35	-250.46
L 120 x 120 x 15	450.35	53.29	3.65	714.84	4.60	185.86	2.35	-264.49
L 120 x 120 x 16	474.86	56.43	3.64	752.89	4.58	196.84	2.34	-278.02
L 130 x 130 x 8	334.19	35.35	4.07	533.65	5.14	134.73	2.58	-199.46
L 130 x 130 x 9	371.81	39.48	4.06	593.45	5.12	150.18	2.58	-221.63
L 130 x 130 x 10	408.58	43.55	4.04	651.77	5.11	165.38	2.57	-243.20
L 130 x 130 x 11	444.51	47.57	4.03	708.66	5.09	180.36	2.57	-264.15
L 130 x 130 x 12	479.63	51.53	4.01	764.14	5.07	195.13	2.56	-284.50
L 130 x 130 x 13	513.96	55.43	4.00	818.22	5.05	209.71	2.56	-304.25
L 130 x 130 x 14	547.52	59.28	3.99	870.93	5.03	224.12	2.55	-323.41
L 130 x 130 x 15	580.33	63.08	3.97	922.29	5.01	238.37	2.55	-341.96
L 130 x 130 x 16	612.41	66.83	3.96	972.34	4.99	252.49	2.54	-359.92
L 140 x 140 x 9	467.74	46.00	4.38	746.80	5.53	188.68	2.78	-279.06
L 140 x 140 x 10	514.38	50.77	4.36	820.89	5.51	207.87	2.77	-306.51
L 140 x 140 x 11	560.03	55.48	4.35	893.29	5.49	226.78	2.77	-333.25
L 140 x 140 x 12	604.73	60.12	4.34	964.02	5.47	245.44	2.76	-359.29
L 140 x 140 x 13	648.49	64.71	4.32	1033.12	5.46	263.87	2.76	-384.62
L 140 x 140 x 14	691.33	69.24	4.31	1100.60	5.44	282.07	2.75	-409.26
L 140 x 140 x 15	733.28	73.70	4.29	1166.49	5.42	300.07	2.75	-433.21
L 140 x 140 x 16	774.36	78.12	4.28	1230.83	5.40	317.90	2.74	-456.46
L 150 x 150 x 10	637.05	58.55	4.69	1017.00	5.92	257.11	2.98	-379.94
L 150 x 150 x 12	749.93	69.39	4.66	1196.06	5.88	303.80	2.96	-446.13
L 150 x 150 x 13	804.71	74.71	4.64	1282.72	5.86	326.70	2.96	-478.01
L 150 x 150 x 14	858.42	79.97	4.63	1367.50	5.84	349.33	2.95	-509.09
L 150 x 150 x 15	911.08	85.16	4.62	1450.44	5.82	371.71	2.95	-539.36



Equal leg angles

Dimensions: in accordance with EN 10056-1: 1998
Tolerances: EN 10056-2:1993.

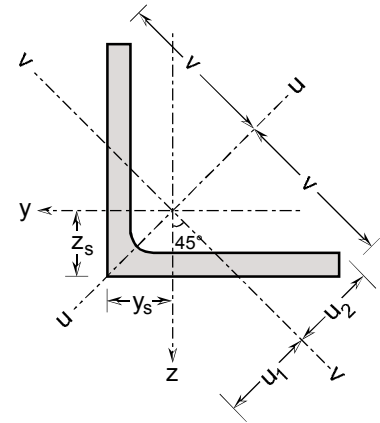
General properties									
Designation		Dimensions				Position of axes			
	G kg/m	h = b mm	t mm	r mm	A mm ² x10 ²	z _s =y _s mm	v mm	u ₁ mm	u ₂ mm
L 150 x 150 x 16	36.36	150	16	16 / 2 *	45.44	43.38	106.07	61.35	55.62
L 150 x 150 x 18	40.61	150	18	16 / 2 *	50.76	44.10	106.07	62.36	56.01
L 150 x 150 x 20	44.80	150	20	16 / 2 *	56.00	44.81	106.07	63.38	56.42
L 160 x 160 x 15	36.60	160	15	2 +	45.75	45.52	113.14	64.38	58.95
L 160 x 160 x 16	38.92	160	16	2 +	48.64	45.89	113.14	64.89	59.14
L 160 x 160 x 18	43.49	160	18	2 +	54.36	46.61	113.14	65.91	59.54
L 160 x 160 x 20	48.00	160	20	2 +	60.00	47.33	113.14	66.93	59.94
L 180 x 180 x 13	36.09	180	13	2 +	45.11	49.80	127.28	70.43	65.63
L 180 x 180 x 15	41.40	180	15	2 +	51.75	50.53	127.28	71.47	66.01
L 180 x 180 x 16	44.04	180	16	2 +	55.04	50.90	127.28	71.98	66.20
L 180 x 180 x 18	49.25	180	18	2 +	61.56	51.62	127.28	73.01	66.59
L 180 x 180 x 20	54.40	180	20	2 +	68.00	52.35	127.28	74.03	66.98
L 200 x 200 x 13	40.25	200	13	2 +	50.31	54.81	141.42	77.51	72.69
L 200 x 200 x 15	46.20	200	15	2 +	57.75	55.54	141.42	78.55	73.07
L 200 x 200 x 16	49.16	200	16	2 +	61.44	55.91	141.42	79.07	73.26
L 200 x 200 x 18	55.01	200	18	2 +	68.76	56.64	141.42	80.10	73.64
L 200 x 200 x 20	60.80	200	20	2 +	76.00	57.36	141.42	81.12	74.03
L 250 x 250 x 13	50.65	250	13	2 +	63.31	67.32	176.78	95.20	90.35
L 250 x 250 x 15	58.20	250	15	2 +	72.75	68.06	176.78	96.25	90.72
L 250 x 250 x 18	69.41	250	18	2 +	86.76	69.16	176.78	97.80	91.29
L 250 x 250 x 20	76.80	250	20	2 +	96.00	69.89	176.78	98.84	91.67
L 300 x 300 x 13	61.05	300	13	2 +	76.31	79.83	212.13	112.89	108.02
L 300 x 300 x 15	70.20	300	15	2 +	87.75	80.57	212.13	113.94	108.39
L 300 x 300 x 16	74.76	300	16	2 +	93.44	80.94	212.13	114.46	108.57
L 300 x 300 x 18	83.81	300	18	2 +	104.76	81.67	212.13	115.50	108.94
L 300 x 300 x 20	92.80	300	20	2 +	116.00	82.41	212.13	116.54	109.32

Profiles are * also available or + only available as laser fused with full penetration, non tapered, equivalent to hot rolled (r = laser seam).



Stainless steel

Grade according to EN 10088-3: 1D
Surface condition: blasted and pickled



Structural properties

Designation	Axis y-y / axis z-z			Axis u-u		Axis v-v		I_{yz} mm ⁴ x10 ⁴
	$I_y=I_z$ mm ⁴ x10 ⁴	$W_{el,y}=W_{el,z}$ mm ³ x10 ³	$i_y=i_z$ mm x10	I_u mm ⁴ x10 ⁴	i_u mm x10	I_v mm ⁴ x10 ⁴	i_v mm x10	
L 150 x 150 x 16	962.71	90.29	4.60	1531.55	5.81	393.87	2.94	-568.84
L 150 x 150 x 18	1062.99	100.38	4.58	1688.41	5.77	437.57	2.94	-625.42
L 150 x 150 x 20	1159.45	110.23	4.55	1838.30	5.73	480.60	2.93	-678.85
L 160 x 160 x 15	1115.58	97.45	4.94	1777.13	6.23	454.04	3.15	-661.54
L 160 x 160 x 16	1179.45	103.36	4.92	1877.71	6.21	481.20	3.15	-698.25
L 160 x 160 x 18	1303.71	114.97	4.90	2072.68	6.17	534.75	3.14	-768.96
L 160 x 160 x 20	1423.51	126.34	4.87	2259.58	6.14	587.44	3.13	-836.07
L 180 x 180 x 13	1419.77	109.05	5.61	2265.77	7.09	573.78	3.57	-845.99
L 180 x 180 x 15	1612.25	124.53	5.58	2570.74	7.05	653.77	3.55	-958.49
L 180 x 180 x 16	1706.14	132.15	5.57	2719.13	7.03	693.14	3.55	-1012.99
L 180 x 180 x 18	1889.33	147.17	5.54	3007.87	6.99	770.79	3.54	-1118.54
L 180 x 180 x 20	2066.62	161.89	5.51	3286.12	6.95	847.12	3.53	-1219.50
L 200 x 200 x 13	1968.06	135.55	6.25	3142.32	7.90	793.80	3.97	-1174.26
L 200 x 200 x 15	2238.29	154.94	6.23	3571.34	7.86	905.24	3.96	-1333.05
L 200 x 200 x 16	2370.42	164.51	6.21	3780.70	7.84	960.13	3.95	-1410.29
L 200 x 200 x 18	2628.84	183.37	6.18	4189.29	7.81	1068.39	3.94	-1560.45
L 200 x 200 x 20	2879.72	201.89	6.16	4584.64	7.77	1174.81	3.93	-1704.92
L 250 x 250 x 13	3917.47	214.44	7.87	6259.57	9.94	1575.37	4.99	-2342.10
L 250 x 250 x 15	4467.81	245.56	7.84	7135.89	9.90	1799.73	4.97	-2668.08
L 250 x 250 x 18	5269.03	291.36	7.79	8409.07	9.84	2128.98	4.95	-3140.04
L 250 x 250 x 20	5787.45	321.33	7.76	9230.86	9.81	2344.04	4.94	-3443.41
L 300 x 300 x 13	6856.06	311.39	9.48	10959.46	11.98	2752.65	6.01	-4103.41
L 300 x 300 x 15	7834.01	357.01	9.45	12519.09	11.94	3148.94	5.99	-4685.07
L 300 x 300 x 16	8315.71	379.60	9.43	13286.68	11.92	3344.73	5.98	-4970.98
L 300 x 300 x 18	9264.79	424.35	9.40	14797.74	11.88	3731.85	5.97	-5532.95
L 300 x 300 x 20	10195.14	468.54	9.37	16276.98	11.85	4113.29	5.95	-6081.84