

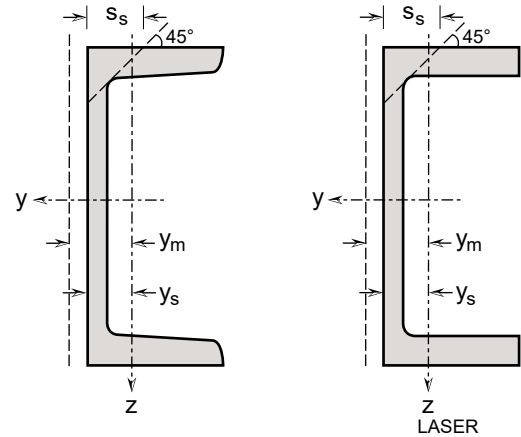
## European standard channels

Dimensions: in accordance with EN 10365  
Tolerances: EN 10279: 2000

General properties												
Designation		Dimensions							Dimensions for detailing			
	G kg/m	h mm	b mm	t <sub>w</sub> mm	t <sub>f</sub> mm	r <sub>1</sub> mm	r <sub>2</sub> mm	A mm <sup>2</sup> x10 <sup>2</sup>	h <sub>i</sub> mm	d mm	u mm ± = 8%	
UPN 20 x 10 x 3	0.90	20	10	3	3.5	3.5	2.5	1.14	-	6.00	5.0	
UPN 30 x 15 x 4	1.80	30	15	4	4.5	4.5	2.5	2.28	-	12.10	7.5	
UPN 30 x 15 x 4*	1.76	30	15	4	4.5	2	< 1	2.19	21.00	19.00		
UPN 30 x 33 x 5	4.45	30	33	5	7	7	3	5.63	-	2.00	16.5	
UPN 40 x 20 x 3	1.87	40	20	3	3.3	3.3	3	2.37	-	26.80	10.0	
UPN 40 x 20 x 3*	1.92	40	20	3	3.5	2	< 1	2.39	33.00	31.00		
UPN 40 x 20 x 4	2.47	40	20	4	4.5	4.5	3	3.13	-	22.00	10.0	
UPN 40 x 20 x 4*	2.44	40	20	4	4.5	2	< 1	3.04	31.00	29.00		
UPN 40 x 35 x 5	5.06	40	35	5	7	7	3	6.41	-	12.00	17.5	
UPN 40 x 35 x 5*	4.96	40	35	5	7	2	< 1	6.20	26.00	24.00		
UPN 50 x 25 x 5	3.94	50	25	5	6	5	3.5	4.92	-	25.70	12.5	
UPN 50 x 25 x 5*	3.92	50	25	5	6	2	< 1	4.90	38.00	36.00		
UPN 50	5.70	50	38	5	7	7	3.5	7.12	-	21.00	19.0	
UPN 50*	5.70	50	38	5	7	2	< 1	7.12	36.00	34.00		
UPN 60 x 30 x 6	5.17	60	30	6	6	6	3	6.46	-	35.50	15.0	
UPN 60 x 30 x 6*	5.19	60	30	6	6	2	< 1	6.48	48.00	46.00		
UPN 65	7.22	65	42	5.5	7.5	7.5	4	9.03	-	34.00	21.0	
UPN 65*	7.24	65	42	5.5	7.5	2	< 1	9.05	50.00	48.00		
UPN 80	8.80	80	45	6	8	8	4	11.00	-	47.00	22.5	
UPN 80*	8.74	80	45	6	8	2	< 1	11.06	64.00	60.00		
UPN 100	10.80	100	50	6	8.5	8.5	4.5	13.50	-	64.00	25.0	
UPN 100*	10.66	100	50	6	8.5	2	< 1	13.50	83.00	79.00		

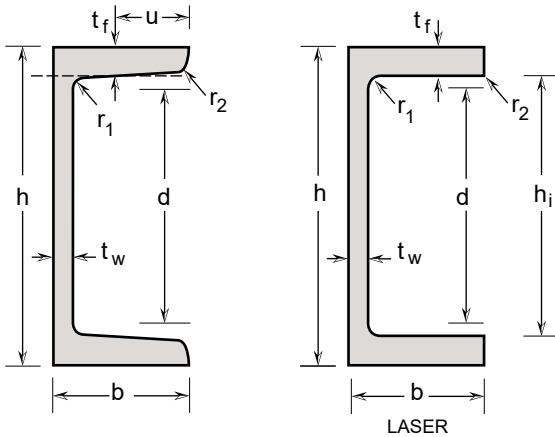
## Stainless steel

Grade according to EN 10088-3: 1D  
Surface condition: blasted and pickled



Structural properties

Designation	Strong axis y-y					Weak axis z-z					S <sub>s</sub> mm	I <sub>t</sub> mm <sup>4</sup> x10 <sup>4</sup>	I <sub>w</sub> mm <sup>6</sup> x10 <sup>9</sup>	y <sub>s</sub> mm x10	y <sub>m</sub> mm x10
	I <sub>y</sub> mm <sup>4</sup> x10 <sup>4</sup>	W <sub>el,y</sub> mm <sup>3</sup> x10 <sup>3</sup>	W <sub>pl,y</sub> mm <sup>3</sup> x10 <sup>3</sup>	i <sub>y</sub> mm x10	A <sub>vz</sub> mm <sup>2</sup> x10 <sup>2</sup>	I <sub>z</sub> mm <sup>4</sup> x10 <sup>4</sup>	W <sub>el,z</sub> mm <sup>3</sup> x10 <sup>3</sup>	W <sub>pl,z</sub> mm <sup>3</sup> x10 <sup>3</sup>	i <sub>z</sub> mm x10						
UPN 20 x 10 x 3	0.56	0.56	0.76	0.70	0.67	0.10	0.15	0.26	0.29	5.57	0.08	0.00	0.37	0.52	
UPN 30 x 15 x 4	2.62	1.74	2.33	1.07	1.31	0.43	0.45	0.75	0.44	7.16	0.27	0.00	0.54	0.79	
UPN 30 x 15 x 4*	2.53	1.69	2.17	1.07	1.07	0.42	0.44	0.59	0.44	5.09	0.15	0.00	0.54	0.82	
UPN 30 x 33 x 5	6.62	4.41	5.90	1.08	1.85	5.68	3.01	4.56	1.00	11.14	1.29	0.00	1.41	2.38	
UPN 40 x 20 x 3	5.51	2.76	3.41	1.53	1.26	0.86	0.63	1.13	0.60	5.25	0.12	0.00	0.63	1.15	
UPN 40 x 20 x 3*	5.59	2.79	3.39	1.53	1.13	0.89	0.66	0.78	0.61	4.09	0.09	0.00	0.65	1.21	
UPN 40 x 20 x 4	6.89	3.44	4.41	1.48	1.71	1.10	0.83	1.47	0.59	7.16	0.32	0.00	0.67	1.12	
UPN 40 x 20 x 4*	6.70	3.35	4.17	1.48	1.47	1.09	0.82	1.03	0.60	5.09	0.21	0.00	0.67	1.15	
UPN 40 x 35 x 5	14.61	7.31	9.41	1.51	2.35	7.47	3.57	5.55	1.08	11.14	1.38	0.01	1.41	2.48	
UPN 40 x 35 x 5*	14.28	7.14	8.94	1.52	1.72	7.34	3.56	4.45	1.09	7.59	0.92	0.01	1.43	2.56	
UPN 50 x 25 x 5	16.80	6.73	8.52	1.85	2.52	2.49	1.48	2.79	0.71	14.60	0.59	0.01	0.81	1.34	
UPN 50 x 25 x 5*	16.91	6.76	8.42	1.86	2.26	2.77	1.69	2.11	0.75	6.59	0.55	0.01	0.86	1.47	
UPN 50	26.40	10.60	13.10	1.92	2.77	9.12	3.75	6.89	1.13	16.70	1.12	0.03	1.37	2.47	
UPN 50*	26.77	10.71	13.07	1.94	2.22	10.10	4.36	5.28	1.19	7.59	1.03	0.03	1.48	2.73	
UPN 60 x 30 x 6	31.60	10.50	13.30	2.21	3.54	4.51	2.16	4.13	0.84	15.80	0.89	0.02	0.91	1.50	
UPN 60 x 30 x 6*	31.91	10.64	13.20	2.22	3.30	5.09	2.50	3.13	0.89	6.59	0.86	0.02	0.97	1.66	
UPN 65	57.50	17.70	21.70	2.52	3.68	14.10	5.07	9.48	1.25	18.00	1.61	0.08	1.42	2.60	
UPN 65*	58.12	17.88	21.57	2.53	3.24	15.71	5.92	7.00	1.32	8.09	1.48	0.08	1.54	2.90	
UPN 80	106.00	26.50	32.30	3.10	4.90	19.40	6.36	12.08	1.33	19.40	2.20	0.17	1.45	2.67	
UPN 80*	106.97	26.74	32.17	3.11	4.50	21.80	7.44	13.28	1.40	15.18	2.09	0.20	1.57	2.97	
UPN 100	206.00	41.20	49.00	3.91	6.46	29.30	8.49	16.20	1.47	20.30	2.81	0.41	1.55	2.93	
UPN 100*	207.30	41.46	49.36	3.92	5.68	33.07	9.98	17.93	1.57	15.68	2.71	0.48	1.69	3.27	



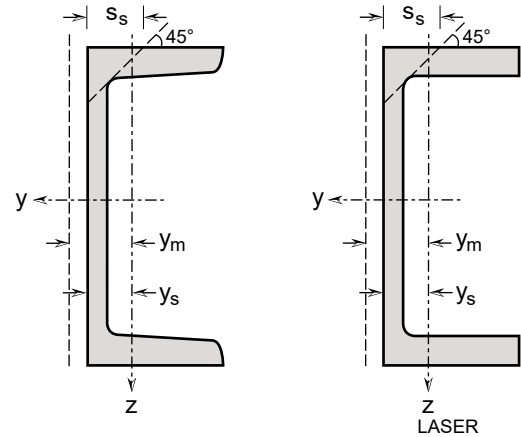
## European standard channels

Dimensions: in accordance with EN 10365  
Tolerances: EN 10279: 2000

General properties												
Designation		Dimensions							Dimensions for detailing			
	G kg/m	h mm	b mm	t <sub>w</sub> mm	t <sub>f</sub> mm	r <sub>1</sub> mm	r <sub>2</sub> mm	A mm <sup>2</sup> x10 <sup>2</sup>	h <sub>i</sub> mm	d mm	u mm ± = 8%	
UPN 120	13.60	120	55	7	9	9	4.5	17.00	-	82.00	27.5	
UPN 120*	13.48	120	55	7	9	2	< 1	17.06	102.00	98.00		
UPN 140	16.32	140	60	7	10	10	5	20.40	-	98.00	30.0	
UPN 140*	16.13	140	60	7	10	2	< 1	20.42	120.00	116.00		
UPN 160	19.20	160	65	7.5	10.5	10.5	5.5	24.00	-	115.00	32.5	
UPN 160*	19.03	160	65	7.5	10.5	2	< 1	24.09	139.00	135.00		
UPN 180	22.40	180	70	8	11	11	5.5	28.00	-	133.00	35.0	
UPN 180*	22.17	180	70	8	11	2	< 1	28.06	158.00	154.00		
UPN 200*	25.53	200	75	8.5	11.5	2	< 1	32.31	177.00	173.00		
UPN 220*	29.68	220	80	9	12.5	2	< 1	37.57	195.00	191.00		
UPN 240*	33.53	240	85	9.5	13	2	< 1	42.45	214.00	210.00		
UPN 260*	38.25	260	90	10	14	2	< 1	48.42	232.00	228.00		
UPN 280*	42.28	280	95	10	15	2	< 1	53.52	250.00	246.00		
UPN 300*	46.47	300	100	10	16	2	< 1	58.82	268.00	264.00		
UPN 320*	59.18	320	100	14	17.5	2	< 1	74.92	285.00	281.00		
UPN 350*	60.46	350	100	14	16	2	< 1	76.54	318.00	314.00		
UPN 380*	62.91	380	102	13.5	16	2	< 1	79.64	348.00	344.00		
UPN 400*	71.56	400	110	14	18	2	< 1	90.58	364.00	360.00		

## Stainless steel

Grade according to EN 10088-3: 1D  
Surface condition: blasted and pickled



Structural properties

Designation	Strong axis y-y					Weak axis z-z					S <sub>s</sub> mm	I <sub>t</sub> mm <sup>4</sup> x10 <sup>4</sup>	I <sub>w</sub> mm <sup>6</sup> x10 <sup>9</sup>	y <sub>s</sub> mm x10	y <sub>m</sub> mm x10
	I <sub>y</sub> mm <sup>4</sup> x10 <sup>4</sup>	W <sub>el,y</sub> mm <sup>3</sup> x10 <sup>3</sup>	W <sub>pl,y</sub> mm <sup>3</sup> x10 <sup>3</sup>	i <sub>y</sub> mm x10	A <sub>vz</sub> mm <sup>2</sup> x10 <sup>2</sup>	I <sub>z</sub> mm <sup>4</sup> x10 <sup>4</sup>	W <sub>el,z</sub> mm <sup>3</sup> x10 <sup>3</sup>	W <sub>pl,z</sub> mm <sup>3</sup> x10 <sup>3</sup>	i <sub>z</sub> mm x10						
UPN 120	364.00	60.70	72.60	4.62	8.80	43.20	11.10	21.26	1.59	22.20	4.15	0.90	1.60	3.03	
UPN 120*	367.96	61.33	73.33	4.64	7.97	49.15	13.08	23.67	1.70	17.18	3.99	1.04	1.74	3.38	
UPN 140	605.00	86.40	103.00	5.45	10.40	62.70	14.80	28.31	1.75	23.90	5.68	1.80	1.75	3.37	
UPN 140*	609.41	87.06	103.40	5.46	9.32	71.05	17.36	31.44	1.87	18.18	5.46	2.08	1.91	3.76	
UPN 160	925.00	116.00	138.00	6.21	12.60	85.30	18.30	35.15	1.89	25.30	7.39	3.26	1.84	3.56	
UPN 160*	932.63	116.58	138.50	6.22	11.44	97.42	21.67	39.21	2.01	19.18	7.09	3.76	2.00	3.98	
UPN 180	1350.00	150.00	179.00	6.95	15.10	114.00	22.40	43.05	2.02	26.70	9.55	5.57	1.92	3.75	
UPN 180*	1365.17	151.69	180.33	6.98	13.76	130.28	26.60	48.04	2.15	20.18	9.06	6.44	2.10	4.20	
UPN 200*	1928.35	192.83	229.46	7.73	16.27	170.62	32.20	58.04	2.30	21.18	11.42	10.50	2.20	4.42	
UPN 220*	2713.15	246.65	293.39	8.50	18.94	225.67	39.87	71.87	2.45	22.68	15.32	16.83	2.34	4.71	
UPN 240*	3627.90	302.32	359.97	9.24	21.84	285.51	47.12	84.83	2.59	23.68	18.78	25.51	2.44	4.93	
UPN 260*	4859.51	373.81	444.92	10.02	24.90	365.32	56.92	102.48	2.75	25.18	24.36	38.35	2.58	5.22	
UPN 280*	6313.62	450.97	534.30	10.86	26.82	457.00	67.84	122.32	2.92	26.18	29.60	55.66	2.76	5.63	
UPN 300*	8066.44	537.76	634.42	11.71	28.74	564.28	80.02	144.59	3.10	27.18	35.77	78.95	2.95	6.05	
UPN 320*	10719.93	670.00	814.15	11.96	42.72	642.94	88.18	159.10	2.93	32.68	62.98	102.40	2.71	5.23	
UPN 350*	12687.32	724.99	888.88	12.88	47.10	618.19	82.40	149.34	2.84	31.18	58.09	121.50	2.50	4.83	
UPN 380*	15565.03	819.21	1003.37	13.98	49.48	667.24	86.53	156.47	2.89	30.68	57.75	156.40	2.49	4.90	
UPN 400*	20089.49	1004.47	1220.72	14.89	53.86	921.06	112.31	202.22	3.19	33.18	77.02	236.10	2.80	5.56	